

UT/ET Type AC Line Filters LFE Series(UT/ET 形交流線性濾波器-----LFE 系列)



Features(特徵):

- 1, High Impedance and Excellent Frequency Characteristic.(高阻抗並具有良好的頻率特性。)
- 2, Use UL-approved High-Resistance Insulation Material (94V-0).(採用符合 UL 認證的高絕緣阻抗材料(符合 94V-0)。)
- 3, Low Magnetic Flux Leakage.(低漏磁電感。)

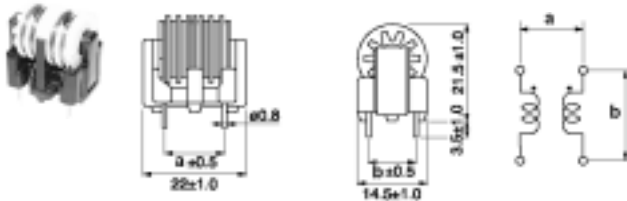
Applications(應用):

Power switching , TV game, Monitor, Car recharger, etc. Design as Customer's Requested Specifications.
 電源供應器、電動玩具、監視台、汽車充電器等。根據客戶需求設計

LFE20 Type

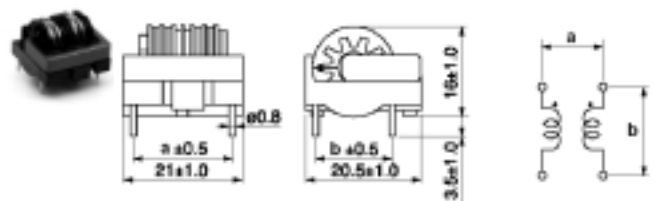
LFE20 Vertical Type (立式):

a :13 b :10



LFE20 Horizontal Type (臥式):

a :18 b :14



Specification (規格):

Part No.	Rated current (A)	Inductance (mH) Min	DC Resistance (/line) Max	Dimension (mm)		Temperature rise (K) Max
				a	b	
LFE20-003-553	0.3	55.0	4.1	13(18)	10(14)	45
LFE20-004-353	0.4	35.0	2.6	13(18)	10(14)	45
LFE20-005-233	0.5	23.0	1.8	13(18)	10(14)	45
LFE20-006-183	0.6	18.0	1.3	13(18)	10(14)	45
LFE20-007-123	0.7	12.0	0.9	13(18)	10(14)	45
LFE20-008-832	0.8	8.3	0.74	13(18)	10(14)	45
LFE20-010-622	1.0	6.2	0.44	13(18)	10(14)	45
LFE20-011-502	1.1	5.0	0.40	13(18)	10(14)	45
LFE20-013-352	1.3	3.5	0.28	13(18)	10(14)	45
LFE20-017-242	1.7	2.4	0.19	13(18)	10(14)	45
LFE20-022-132	2.2	1.3	0.12	13(18)	10(14)	45
LFE20-030-601	3.0	0.6	0.063	13(18)	10(14)	45

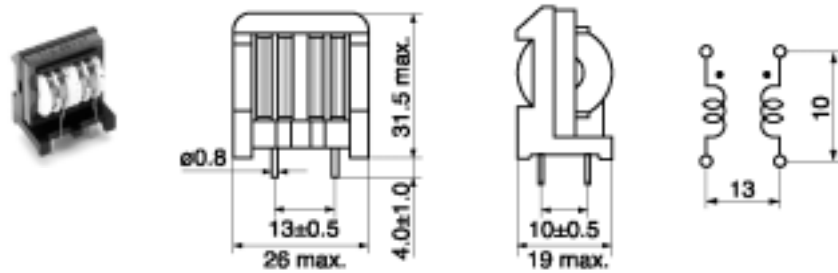
Note(備注):

- 1, Rated voltage: 250VAC/VDC.
- 2, Withstanding voltage: 2000VAC (one minute, between lines).
- 3, Insulation resistance: at 500VDC, more than 100MΩ (between lines).
- 4, Thermal class: B (130°C).
- 5, Operating temperature range (°C): -25 to T (T=120-temp. rise).
- 6, Inductance measurement condition: 1.0kHz, 1.0V, HP-4284A.

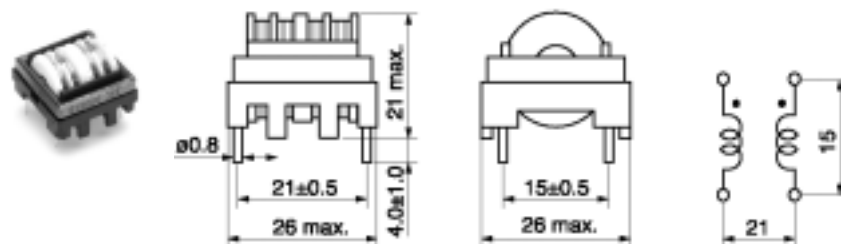
Lead Type Line Filters

LFE24 Type

LFE24 Vertical Type (立式):



LFE24 Horizontal Type (卧式):



Specification (規格):

Part No.	Rated current (A)	Inductance (mH) Min	DC Resistance (/line) Max	Temperature rise (K) Max
LFE24-005-573	0.5	57.0	1.75	45
LFE24-007-323	0.7	32.5	1.00	45
LFE24-008-243	0.8	24.0	0.75	50
LFE24-010-163	1.0	16.5	0.55	45
LFE24-015-702	1.5	7.0	0.24	45
LFE24-018-552	1.8	5.5	0.21	45
LFE24-020-402	2.0	4.0	0.17	50
LFE24-005-603	0.5	60.0	1.75	45
LFE24-007-353	0.7	35.0	1.00	45
LFE24-008-253	0.8	25.0	0.75	50
LFE24-010-173	1.0	17.0	0.55	45
LFE24-015-802	1.5	8.0	0.24	45
LFE24-018-602	1.8	6.0	0.21	45
LFE24-020-452	2.0	4.5	0.17	50

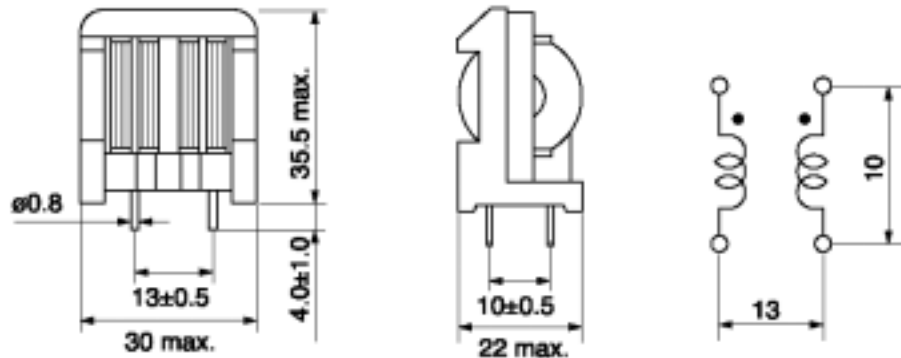
Note (備注):

- 1, Rated voltage: 250VAC/VDC.
- 2, Withstanding voltage: 2000VAC (one minute, between lines).
- 3, Insulation resistance: at 500VDC, more than 100MΩ (between lines).
- 4, Thermal class: B (130°C).
- 5, Operating temperature range (°C): -25 to T (T=120-temp. rise).
- 6, Inductance measurement condition: 1.0kHz, 1.0V, HP-4284A.

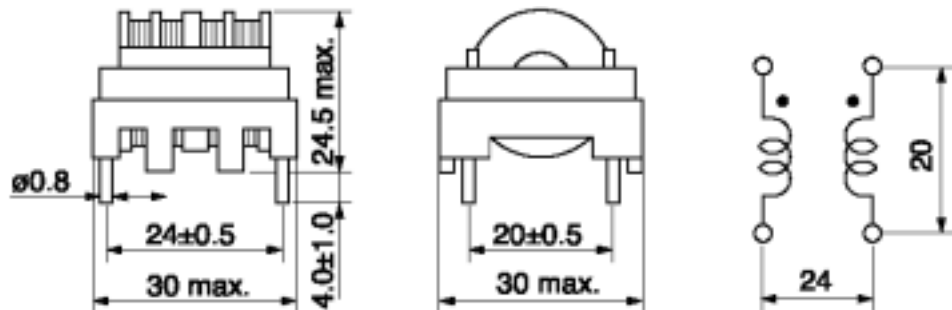
Lead Type Line Filters

LFE28 Type

LFE28 Vertical Type (立式):



LFE28 Horizontal Type (卧式):



Specification (規格):

Part No.	Rated current (A)	Inductance (mH) Min	DC Resistance (/line) Max	Temperature rise (K) Max
LFE28-008-533	0.8	53.0	0.95	45
LFE28-010-413	1.0	41.0	0.65	45
LFE28-015-163	1.5	16.0	0.35	50
LFE28-020-123	2.0	12.0	0.22	45
LFE28-025-752	2.5	7.5	0.16	45
LFE28-008-603	0.8	60.0	0.95	45
LFE28-010-453	1.0	45.0	0.65	45
LFE28-015-173	1.5	17.0	0.35	50
LFE28-020-133	2.0	13.0	0.22	45
LFE28-025-802	2.5	8.0	0.16	45

Note(備注):

- 1, Rated voltage: 250VAC/VDC.
- 2, Withstanding voltage: 2000VAC (one minute, between lines).
- 3, Insulation resistance: at 500VDC, more than 100MΩ (between lines).
- 4, Thermal class: B (130°C).
- 5, Operating temperature range (°C): -25 to T (T=120-temp. rise).
- 6, Inductance measurement condition: 1.0kHz, 1.0V, HP-4284A.