

Surface Mount Unshielded Power Inductors

Small Surface Mount Unshielded Power Inductors LDR Series (小型表面接著型開磁式功率電感-----LDR 系列)

These products are low height type power inductors optimum to a DC-DC converter for driving an LCD panel. A plane accuracy of a user terminal is increased by separating a winding terminal. In addition, an application of a new-designed thin type drum core significantly lowers leakage flux so as to satisfy needs for high density mounting.

Features(特徵):



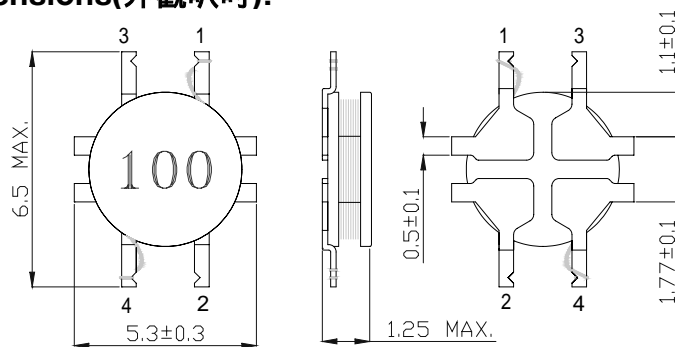
- 1, The first low height realized by using new magnetic material superior in superimposed DC current characteristics with high specific resistance and by adopting a design in which a lead frame is directly bonded.
- 2, Mountable on the back side of the LCD surface because of low height type (1.20mm max.).
- 3, Low leakage flux drum core with original design applied.
- 4, Size equivalent to a half of a conventional core having the same characteristics realized, thus enabling light weight (0.1g max.).
- 5, Automatic inserter usable in taping specifications.
- 6, All terminals are welded without lead.

Applications(應用):

LCD driving circuits (DC-DC converters) such as notebook-sized personal computers, portable terminal equipment, game units

液晶顯示器驅動電路(直流—直流轉換器)例如象筆記型電腦、個人電腦、便攜式終端設備、遊戲卡等類型的產品。

Shape & Dimensions(外觀尺寸):



Specification(規格):

Part Number	Inductance (μH)	DC Resistance () Max	Rated Current (A) Max
LDR655312-2R2M	2.2±20%	0.150	1.20
LDR655312-3R3M	3.3±20%	0.186	0.96
LDR655312-4R7M	4.7±20%	0.247	0.90
LDR655312-6R8M	6.8±20%	0.288	0.80
LDR655312-100M	10±20%	0.444	0.70
LDR655312-150M	15±20%	0.552	0.60
LDR655312-220M	22±20%	0.802	0.50
LDR655312-330M	33±20%	1.320	0.42
LDR655312-470M	47±20%	1.656	0.34

Note:

- 1, Rated current: Value obtained when self-temperature has risen to 40°C.
- 2, Test equipment Inductance: YHP 4284 LDR METER, or equivalent (Test frequency: 100kHz/20mV).
- 3, DC Resistance: HP4338B, or equivalent

Inductance vs. Current

