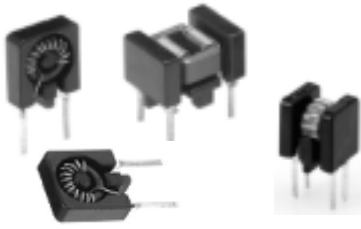


Lead Type Line Filters

DC Line Filters BCB Series(直流線性濾波器-----BCB 系列)



Features(特徵):

- 1, High Impedance and Excellent Frequency Characteristic.(高阻抗並具有良好的頻率特性。)
- 2, Self electromagnetic shielding.(自我的磁遮蔽。)
- 3, Low Magnetic Flux Leakage.(低漏磁電感。)

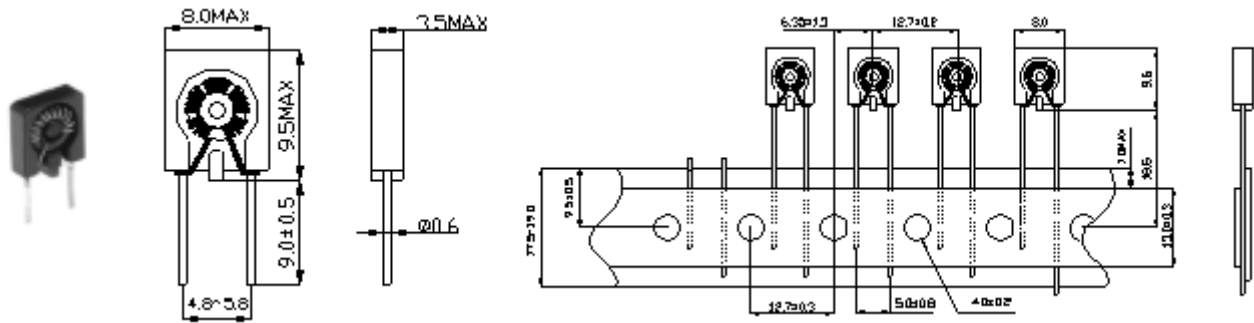
Applications(應用):

EMI countermeasures at signal lines of personal computers, microcomputers, peripheral devices, Countermeasures against common-mode noise at composite at video signals.

抑制來自於個人電腦、微型電子計，外圍設備等信號線之電磁干擾以及視頻合成之共模噪音。

BCB809535 Type

Unit: mm

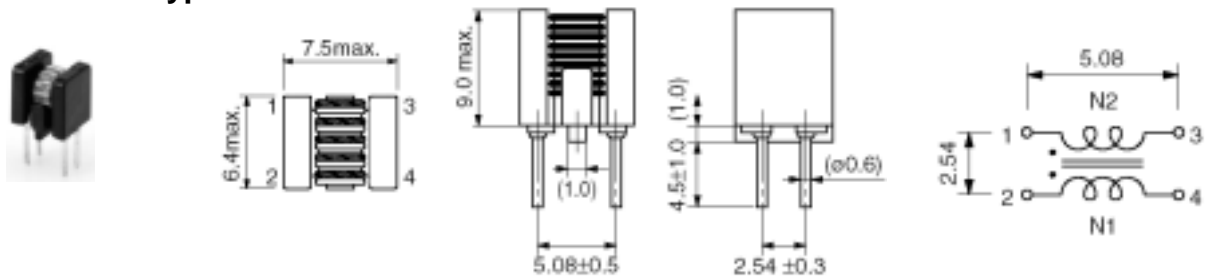


Specification (規格):

Part No.	Rated Voltage DC(V)	Rated current (mA)	Inductance (1.0KHz/70mA) μ H	DC Resistance (m) Max	Opening Temperature Rated ()
BCB809535-8R2	50	500	8.2±50%	20	-25 to +70
BCB809535-100	50	500	10.0±50%	20	-25 to +70
BCB809535-390	50	500	39.0±50%	34	-25 to +70
BCB809535-600	50	500	60.0±50%	50	-25 to +70

BCB649075 Type

Unit: mm



Specification (規格):

Part No.	Rated Voltage DC(V)	Rated current (mA)	Inductance (1.0KHz/70mA) μ H	DC Resistance (m /line) Max	Opening Temperature Rated ()
BCB649075-5R0	50	500	5.0 Min	30	-25 to +70
BCB649075-400	50	500	40.0±35%	40	-25 to +70
BCB649075-600	50	500	60.0±35%	45	-25 to +70
BCB649075-800	50	500	80.0±35%	55	-25 to +70

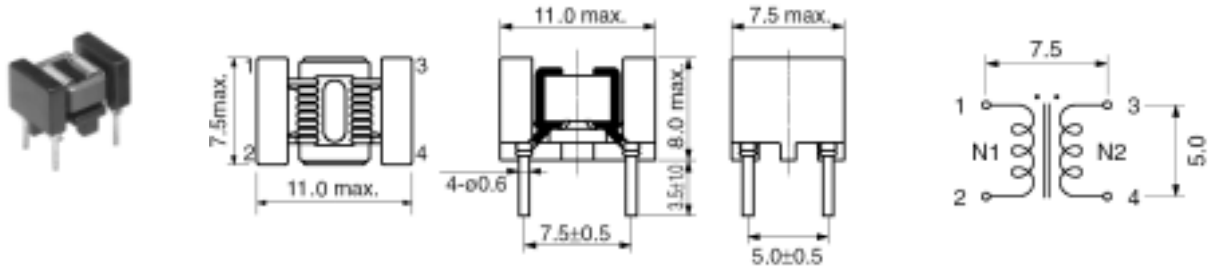
Withstanding voltage: 200VDC (one minute, between lines).

Insulation resistance: more than 10M Ω (100VDC, between lines).

Lead Type Line Filters

BCB751175 Type

Unit: mm



Specification (規格):

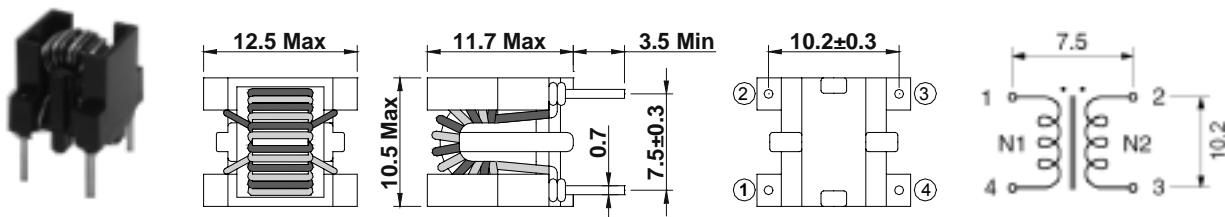
Part No.	Rated Voltage DC(V)	Rated current (A)	Inductance (100.0KHz/1.0mA) μ H Min	DC Resistance (m /line) Max	Opening Temperature Rated ()	Wire Size mm
BCB751175-6R7	50	3.0	6.75	20	-25 to +85	0.40
BCB751175-7R7	50	3.0	7.7	30	-25 to +80	0.40
BCB751175-120	50	3.0	12.0	45	-25 to +75	0.40
BCB751175-270	50	3.0	27.0	200	-25 to +75	0.40

Withstanding voltage: 200VDC (one minute, between lines).

Insulation resistance: more than 10M Ω (100VDC, between lines).

BCB101212 Type

Unit: mm



Specification (規格):

Part No.	Rated Voltage DC(V)	Rated current (A)	Inductance (100.0KHz/1.0mA) μ H	DC Resistance (m /line) Max	Wire Size
BCB101212-9R0	150	3.0	9.0±35%	18	0.40
BCB101212-120	150	3.0	12.0±35%	22	0.40
BCB101212-150	150	3.0	15.0±35%	25	0.40
BCB101212-180	150	3.0	18.0±35%	28	0.40
BCB101212-270	150	3.0	27.0±35%	30	0.40

Withstanding voltage: 200VDC (one minute, between lines).

Insulation resistance: more than 10M Ω (100VDC, between lines).